

PIERS 2025 Chiba

Sponsorship Prospectus

PIERS 2025 Chiba International Advisory Board
PIERS 2025 Chiba Organizing Committee

Chiba 2025

PIERS

THE ELECTROMAGNETICS ACADEMY

Message from PIERS 2025 Chiba Chair and Co-Chairs

On behalf of the Organizing Committees of the 2025 Photonics and Electromagnetics Research Symposium (PIERS 2025 Chiba), we cordially invite you to participate in the conference as a financial sponsor or exhibitor.

The Photonics and Electromagnetics Research Symposium (PIERS) is a top-tier international conference held once or twice every year since 1989 and is organized by the Electromagnetics Academy. PIERS provides an international forum for reporting progress and recent advances in the modern development of electromagnetics, photonics and exciting applications. PIERS has become a major symposium in the area related to photonics and electromagnetics. PIERS has been held three times in Japan; Osaka in 2001, Tokyo in 2006 and Toyama in 2018, all with great success. The PIERS 2025 Chiba, the fourth in Japan, is planned to be held in Chiba, Japan during November 5–9, 2025. The conference is expected to attract more than 1,300 researchers and engineers from around the world (600 domestic and 700 international).

The development of photonics and electromagnetics plays an extremely important role in supporting today's ICT society toward Society 5.0 (Japan's new blueprint for a super-smart society) through the use of advanced wireless communications technology. At the conference, the latest research results in this field will be presented and discussed by prominent researchers and engineers as well as by young researchers including students, which will lead to the significant advancement of photonics and electromagnetics research worldwide.

In addition, we have received technical co-sponsorship and co-sponsorship from a number of related technical societies. In particular, the IOWN (Innovative Optical and Wireless Network) Global Forum is a notable global organization that is actively advancing technology development with the aim of realizing IOWN using photonics-electronics convergence technology. At the conference, IOWN special sessions, a keynote lecture, and a special exhibit are planned, and cutting-edge presentations and discussions are expected by world-leading engineers.

We would greatly appreciate it if you could provide us with kind support and cooperation in line with the objective and significance of the symposium. We are certain that, as a sponsor, you will gain greater visibility among the world's top researchers and practitioners within the field of photonics and electromagnetics. If you have any questions or suggestions regarding the conference sponsorship, please feel free to contact us.

We very much look forward to seeing you in Chiba, Japan in November 2025!

2025 Photonics and Electromagnetics Research Symposium (PIERS 2025 Chiba)

General Chair



Kazuya Kobayashi

General Co-Chairs



Weng Cho Chew



Sailing He



Satoshi Yagitani



Tsuneki Yamasaki

Chair of Organizing Committee



Katsuhiko Kawazoe

Overview of PIERS 2025 Chiba

1. Name of the Conference

2025 Photonics and Electromagnetics Research Symposium (PIERS 2025 Chiba)

2. Sponsor and Co-sponsors

- **Sponsored by:** The Institute of Electronics, Information and Communication Engineers (IEICE)
- **Co-sponsored by:** The Electromagnetics Academy (TEMA); Science Council of Japan (SCJ), Gulf University for Science and Technology

3. Technical Co-sponsoring, Cooperating, and Supporting Organizations

- **Technically Co-sponsored by:** IOWN Global Forum; IEEE Geoscience and Remote Sensing Society (IEEE GRSS); IEEE Antennas and Propagation Society (IEEE AP-S); IEEE Photonics Society
- **In Cooperation with:** Japan Geoscience Union; Society of Atmospheric Electricity of Japan; Society of Geomagnetism and Earth, Planetary and Space Sciences (SGEPSS); The Astronomical Society of Japan; The Institute of Electrical Engineers of Japan; The Laser Society of Japan; The Remote Sensing Society of Japan; Foundation for Promotion of Electrical, Electronic and Information Engineering
- **Supported by:** Ministry of Internal Affairs and Communications; Ministry of Education, Culture, Sports, Science and Technology; Japan National Tourism Organization; Chiba Prefectural Government; Chiba City Government; Chiba Prefecture Board of Education; Chiba City Board of Education; Chiba Convention Bureau and International Center; Chiba University; Chiba Institute of Technology

4. Dates

November 5 – 9, 2025 (5 days)

5. Venue

Makuhari Messe (2-1 Nakase, Mihama-ku, Chiba 261-8550 Japan)

6. Participants

1,300 participants
(domestic: 600 participants / overseas: 700 participants)

7. Main Website

<https://chiba2025.piers.org/>

Local Website

<https://www.piers2025chiba.jp/>



Overview of PIERS 2025 Chiba

8. General Chair

Kazuya Kobayashi Professor, Chuo University
Vice-President, URSI
Assistant Secretary-General (AP-RASC), URSI
Past Chair, Commission B, URSI
President, Japan National Committee for PIERS, The Institute of Electronics,
Information and Communication Engineers
Designated Associate Member, Science Council of Japan
Associate Member, Science Council of Japan, the 22–25th Terms
Past President, Japan National Committee of URSI
Vice-President, Japan National Committee of URSI
Chair, PIERS 2025 Abu Dhabi Awards Committee
Chair, PIERS 2024 Chengdu Awards Committee
Chair, PIERS 2023 Prague Awards Committee
Chair, PIERS 2021 Hangzhou Awards Committee
General Co-Chair, PIERS 2019 Xiamen
Chair, PIERS 2019 Xiamen Technical Program Committee
Co-Chair, PIERS 2019 Rome Technical Program Committee
General Chair, PIERS 2018 Toyama
General Co-Chair, PIERS 2017 St. Petersburg
Co-Chair, PIERS 2016 Shanghai Technical Program Committee
Co-Chair, PIERS 2015 Prague Technical Program Committee
General Co-Chair, PIERS 2014 Guangzhou
General Co-Chair, PIERS 2013 Stockholm
General Vice-Chair, PIERS 2013 Taipei
General Vice-Chair, PIERS 2012 Moscow
General Vice-Chair, PIERS 2009 Moscow

Overview of PIERS 2025 Chiba

9. Co-Chairs

Weng Cho Chew	Distinguished Professor, Purdue University, USA Past President, IEEE Antennas and Propagation Society Editor-in-Chief, PIER Journals (PIER, PIER B, PIER C, PIER M, PIER Letters) General Co-Chair, PIERS 2024 Chengdu General Chair, PIERS 2023 Prague General Chair, PIERS 2021/2022 Hangzhou General Co-Chair, PIERS 2019 Xiamen General Co-Chair, PIERS 2019 Rome General Co-Chair, PIERS 2018 Toyama General Co-Chair, PIERS 2017 St. Petersburg General Co-Chair, PIERS 2016 Shanghai
Sailing He	Professor, Royal Institute of Technology, Sweden & Zhejiang University, China Editor-in-Chief, PIER Journals (PIER, PIER B, PIER C, PIER M, PIER Letters) General Chair, PIERS 2025 Abu Dhabi General Co-Chair, PIERS 2024 Chengdu General Chair, PIERS 2023 Prague General Chair, PIERS 2021/2022 Hangzhou General Co-Chair, PIERS 2019 Xiamen General Co-Chair, PIERS 2019 Rome General Co-Chair, PIERS 2018 Toyama General Co-Chair, PIERS 2017 St. Petersburg Co-Chair, PIERS 2016 Shanghai Technical Program Committee General Vice-Chair, PIERS 2015 Prague General Chair, PIERS 2014 Guangzhou General Chair, PIERS 2013 Stockholm

Overview of PIERS 2025 Chiba

9. Co-Chairs

Satoshi Yagitani Professor, Kanazawa University
Vice-President, Japan National Committee for PIERS, The Institute of Electronics,
Information and Communication Engineers
Secretary, PIERS 2018 Toyama Organizing Committee / Steering Committee
Associate Member, Science Council of Japan
President, Japan National Committee of URSI

Tsuneki Yamasaki Professor Emeritus, Nihon University
Designated Associate Member, Science Council of Japan, the 21st Term
Past President, Japan National Committee for PIERS, The Institute of Electronics,
Information and Communication Engineers
General Co-Chair, PIERS 2018 Toyama
Vice-Chair, PIERS 2018 Toyama Organizing Committee
Vice-Chair, PIERS 2018 Toyama Steering Committee

Overview of PIERS 2025 Chiba

10. International Advisory Board

- Chairs

Katsuhiko Kawazoe Senior Executive Vice President, NTT Corporation
IOWN Global Forum President and Chairperson
Past President, The Institute of Electronics, Information and Communication Engineers

Kazuya Kobayashi Professor, Chuo University
Vice-President, URSI
Assistant Secretary-General (AP-RASC), URSI
Past Chair, Commission B, URSI
President, Japan National Committee for PIERS, The Institute of Electronics,
Information and Communication Engineers
Designated Associate Member, Science Council of Japan
Associate Member, Science Council of Japan, the 22–25th Terms
Past President, Japan National Committee of URSI
Vice-President, Japan National Committee of URSI
Chair, PIERS 2025 Abu Dhabi Awards Committee
Chair, PIERS 2024 Chengdu Awards Committee
Chair, PIERS 2023 Prague Awards Committee
Chair, PIERS 2021 Hangzhou Awards Committee
General Co-Chair, PIERS 2019 Xiamen
Chair, PIERS 2019 Xiamen Technical Program Committee
Co-Chair, PIERS 2019 Rome Technical Program Committee
General Chair, PIERS 2018 Toyama
General Co-Chair, PIERS 2017 St. Petersburg
Co-Chair, PIERS 2016 Shanghai Technical Program Committee
Co-Chair, PIERS 2015 Prague Technical Program Committee
General Co-Chair, PIERS 2014 Guangzhou
General Co-Chair, PIERS 2013 Stockholm
General Vice-Chair, PIERS 2013 Taipei
General Vice-Chair, PIERS 2012 Moscow
General Vice-Chair, PIERS 2009 Moscow

Overview of PIERS 2025 Chiba

10. International Advisory Board

- Co-Chairs

Leung Tsang	Professor, University of Michigan, USA PIERS Chair President, The Electromagnetics Academy Past President, IEEE Geoscience and Remote Sensing Society
Weng Cho Chew	Distinguished Professor, Purdue University, USA Past President, IEEE Antennas and Propagation Society Editor-in-Chief, PIER Journals (PIER, PIER B, PIER C, PIER M, PIER Letters) General Co-Chair, PIERS 2024 Chengdu General Chair, PIERS 2023 Prague General Chair, PIERS 2021/2022 Hangzhou General Co-Chair, PIERS 2019 Xiamen General Co-Chair, PIERS 2019 Rome General Co-Chair, PIERS 2018 Toyama General Co-Chair, PIERS 2017 St. Petersburg General Co-Chair, PIERS 2016 Shanghai
Sailing He	Professor, Royal Institute of Technology, Sweden & Zhejiang University, China Editor-in-Chief, PIER Journals (PIER, PIER B, PIER C, PIER M, PIER Letters) General Chair, PIERS 2025 Abu Dhabi General Co-Chair, PIERS 2024 Chengdu General Chair, PIERS 2023 Prague General Chair, PIERS 2021/2022 Hangzhou General Co-Chair, PIERS 2019 Xiamen General Co-Chair, PIERS 2019 Rome General Co-Chair, PIERS 2018 Toyama General Co-Chair, PIERS 2017 St. Petersburg Co-Chair, PIERS 2016 Shanghai Technical Program Committee General Vice-Chair, PIERS 2015 Prague General Chair, PIERS 2014 Guangzhou General Chair, PIERS 2013 Stockholm

Overview of PIERS 2025 Chiba

10. International Advisory Board

- Members

Makoto Ando	Professor Emeritus, Tokyo Institute of Technology Past President, URSI Past Chair, Commission B, URSI Associate Member, Science Council of Japan, the 19-20th and 24-25th Terms Past President, The Institute of Electronics, Information and Communication Engineers Past President, Electronics Society, The Institute of Electronics, Information and Communication Engineers Past President, IEEE Antennas and Propagation Society
Koichi Ito	Professor Emeritus / Visiting Professor, Chiba University Past President, IEEE Antennas and Propagation Society Immediate Past Chair, Commission K, URSI Designated Associate Member, Science Council of Japan, the 24-25th Terms
Tsuneki Yamasaki	Professor Emeritus, Nihon University Designated Associate Member, Science Council of Japan, the 21st Term Past President, Japan National Committee for PIERS, The Institute of Electronics, Information and Communication Engineers General Co-Chair, PIERS 2018 Toyama Vice-Chair, PIERS 2018 Toyama Organizing Committee Vice-Chair, PIERS 2018 Toyama Steering Committee
Satoshi Yagitani	Professor, Kanazawa University Vice-President, Japan National Committee for PIERS, The Institute of Electronics, Information and Communication Engineers Secretary, PIERS 2018 Toyama Organizing Committee / Steering Committee Associate Member, Science Council of Japan President, Japan National Committee of URSI

Overview of PIERS 2025 Chiba

10. International Advisory Board

- Members

Dau-Chyrh Chang	Chief RF Scientist, Bojay Electronics Co., Ltd, China General Chair, PIERS 2013 Taipei
Hongsheng Chen	Professor, Zhejiang University, China Vice-Editor-in-Chief, PIER Journals (PIER, PIER B, PIER C, PIER M, PIER Letters) General Chair, PIERS 2021/2022 Hangzhou
Huanyang Chen	Professor, Xiamen University, China Chair, PIERS 2024 Chengdu Technical Program Committee Chair, PIERS 2023 Prague Technical Program Committee Chair, PIERS 2021/2022 Hangzhou Technical Program Committee Co-Chair, PIERS 2019 Xiamen Technical Program Committee
Kun-Shan Chen	Professor, Nanjing University, China Co-Chair, PIERS 2019 Xiamen Technical Program Committee General Chair, PIERS 1999 Taipei
Hong Tat Ewe	President and Professor, University Tunku Abdul Rahman (UTAR), Malaysia General Vice-Chair, PIERS 2012 Kuala Lumpur
Tarek Habashy	Schlumberger Fellow and Research Director of the Mathematics and Modeling Department, Schlumberger-Doll Research, USA Vice-President, The Electromagnetics Academy
Hugo Enrique Hernandez-Figueroa	Professor, Dean of the School of Electrical and Computer Engineering, University of Campinas, Brazil General Chair, PIERS 2025 Abu Dhabi Chair, PIERS 2024 Chengdu Technical Program Committee

Overview of PIERS 2025 Chiba

10. International Advisory Board

- Members

Jun Hu	Professor, University of Electronic Science and Technology of China, China General Chair, PIERS 2024 Chengdu
Er Ping Li	Professor, Zhejiang University, China General Chair, PIERS 2021/2022 Hangzhou
Qing Huo Liu	Professor, Eastern Institute of Technology, China Vice-Editor-in-Chief, PIER Journals (PIER, PIER B, PIER C, PIER M, PIER Letters) General Chair, PIERS 2019 Xiamen Co-Chair, PIERS 2019 Xiamen Technical Program Committee Co-Chair, PIERS 2018 Toyama Technical Program Committee Co-Chair, PIERS 2017 St. Petersburg Technical Program Committee Co-Chair, PIERS 2016 Shanghai Technical Program Committee
Kwai Man Luk	Professor, City University of Hong Kong, China SC4 Chair, PIERS 2024 Chengdu Technical Program Committee Vice-Editor-in-Chief, PIER Journals (PIER, PIER B, PIER C, PIER M, PIER Letters)
Giuliano Manara	Professor, University of Pisa, Italy Vice-President, URSI Past Chair, Commission B, URSI
Zhongxiang Shen	Professor, Yangtze Delta Region Academy, Beijing Institute of Technology, China Co-Chair, PIERS 2019 Xiamen Technical Program Committee General Co-Chair, PIERS 2017 Singapore
Yury Shestopalov	Professor, University of Gävle, Sweden Co-Chair, PIERS 2018 Toyama Technical Program Committee General Co-Chair, PIERS 2017 St. Petersburg General Vice-Chair, PIERS 2012 Moscow General Vice-Chair, PIERS 2009 Moscow

Overview of PIERS 2025 Chiba

10. International Advisory Board

- Members

Ari Sihvola	Professor, Aalto University, Finland Co-Chair, PIERS 2019 Xiamen Technical Program Committee Co-Chair, PIERS 2018 Toyama Technical Program Committee Co-Chair, PIERS 2017 St. Petersburg Technical Program Committee Co-Chair, PIERS 2016 Shanghai Technical Program Committee Co-Chair, PIERS 2015 Prague Technical Program Committee Co-Chair, PIERS 2014 Guangzhou Technical Program Committee Co-Chair, PIERS 2013 Stockholm Technical Program Committee President, URSI Past Chair, Commission B, URSI
Hai-Zhi Song	Professor, Southwest Institute of Technical Physics & University of Electronic Science and Technology of China, China
Eng Leong Tan	Associate Professor, Nanyang Technological University, Singapore Co-Chair, PIERS 2019 Rome Technical Program Committee General Chair, PIERS 2017 Singapore
Saibun Tjuatja	Professor, University of Texas at Arlington, USA SC5 Chair, PIERS 2024 Chengdu Technical Program Committee Chair, PIERS 2023 Prague Technical Program Committee Chair, PIERS 2021/2022 Hangzhou Technical Program Committee
Mei Song Tong	Professor, Tongji University, China Co-Chair, PIERS 2018 Toyama Technical Program Committee General Chair, PIERS 2016 Shanghai
Jan Vrba	Czech Technical University in Prague General Chair, PIERS 2023 Prague Co-Chair, PIERS 2018 Toyama Technical Program Committee General Co-Chair, PIERS 2017 St. Petersburg General Chair, PIERS 2015 Prague General Chair, PIERS 2007 Prague

Overview of PIERS 2025 Chiba

11. Organizing Committee

- Chair

Katsuhiko Kawazoe Senior Executive Vice President, NTT Corporation
IOWN Global Forum President and Chairperson
Past President, The Institute of Electronics, Information and Communication Engineers

- Co-Chairs

Kazuya Kobayashi Professor, Chuo University
Vice-President, URSI
Assistant Secretary-General (AP-RASC), URSI
Past Chair, Commission B, URSI
President, Japan National Committee for PIERS, The Institute of Electronics, Information and Communication Engineers
Designated Associate Member, Science Council of Japan
Associate Member, Science Council of Japan, the 22–25th Terms
Past President, Japan National Committee of URSI
Vice-President, Japan National Committee of URSI
Chair, PIERS 2025 Abu Dhabi Awards Committee
Chair, PIERS 2024 Chengdu Awards Committee
Chair, PIERS 2023 Prague Awards Committee
Chair, PIERS 2021 Hangzhou Awards Committee
General Co-Chair, PIERS 2019 Xiamen
Chair, PIERS 2019 Xiamen Technical Program Committee
Co-Chair, PIERS 2019 Rome Technical Program Committee
General Chair, PIERS 2018 Toyama
General Co-Chair, PIERS 2017 St. Petersburg
Co-Chair, PIERS 2016 Shanghai Technical Program Committee
Co-Chair, PIERS 2015 Prague Technical Program Committee
General Co-Chair, PIERS 2014 Guangzhou
General Co-Chair, PIERS 2013 Stockholm
General Vice-Chair, PIERS 2013 Taipei
General Vice-Chair, PIERS 2012 Moscow
General Vice-Chair, PIERS 2009 Moscow

Satoshi Yagitani

Professor, Kanazawa University
Vice-President, Japan National Committee for PIERS, The Institute of Electronics, Information and Communication Engineers
Secretary, PIERS 2018 Toyama Organizing Committee / Steering Committee
Associate Member, Science Council of Japan
President, Japan National Committee of URSI

Overview of PIERS 2025 Chiba

11. Organizing Committee

- Secretary

Yasuhide Hobara Professor, The University of Electro-Communications
Designated Associate Member, Science Council of Japan
Secretary, Japan National Committee of URSI

- Members

Yasuhiko Arakawa Specially Appointed Professor, The University of Tokyo
Past President, International Commission for Optics
Associate Member, Science Council of Japan
Council Member, Section III, Science Council of Japan, the 21–22nd Terms
Chairperson, Section III, Science Council of Japan, the 22nd Term
Immediate Past Chair, Subcommittee on ICO, Science Council of Japan

Kiyomichi Araki Professor Emeritus, Tokyo Institute of Technology
Past President, Electronics Society, The Institute of Electronics, Information and Communication Engineers
Associate Member, Science Council of Japan, the 22-25th Terms

Makoto Ando Professor Emeritus, Tokyo Institute of Technology
Past President, URSI
Past Chair, Commission B, URSI
Associate Member, Science Council of Japan, the 19-20th and 24-25th Terms
Past President, The Institute of Electronics, Information and Communication Engineers
Past President, Electronics Society, The Institute of Electronics, Information and Communication Engineers
Past President, IEEE Antennas and Propagation Society

Koichi Ito Professor Emeritus / Visiting Professor, Chiba University
Past President, IEEE Antennas and Propagation Society
Immediate Past Chair, Commission K, URSI
Designated Associate Member, Science Council of Japan, the 24-25th Terms

Tetsuya Kawanishi Professor, Waseda University
President, Electronics Society, The Institute of Electronics, Information and Communication Engineers

Atsushi Kanno Professor, Nagoya Institute of Technology
Chair, Commission D, URSI

Overview of PIERS 2025 Chiba

11. Organizing Committee

- Members

Michiko Kuroda	Professor Emeritus, Tokyo University of Technology Associate Member, Science Council of Japan, the 24-25th Terms
Ryuji Kohno	Vice-President, YRP International Alliance Institute Professor Emeritus, Yokohama National University Associate Member, Science Council of Japan
Yasuo Kokubun	President / Professor, Institute of Technologists Professor Emeritus, Yokohama National University Professor Emeritus, Chubu University Associate Member, Science Council of Japan
Masanori Koshiba	Professor Emeritus, Hokkaido University Past President, The Institute of Electronics, Information and Communication Engineers Past President, Electronics Society, The Institute of Electronics, Information and Communication Engineers Associate Member, Science Council of Japan, the 20-25th Terms
Motoyuki Sato	Representative Director, ALISys Co., Ltd. Professor Emeritus, Tohoku University Chair, Commission F, URSI
Seiichi Sampei	Professor Emeritus, Osaka University Council Member, Section III, Science Council of Japan Chair, Committee on Electrical and Electronic Engineering, Science Council of Japan Immediate Past Chair, Subcommittee on Communications and Electronic Systems, Science Council of Japan
Hiroshi Takahashi	Professor, Sophia University Past President, Electronics Society, The Institute of Electronics, Information and Communication Engineers
Mitsuo Tateiba	Professor Emeritus, Kyushu University Professor Emeritus, National Institute of Technology, Ariake College Associate Member, Science Council of Japan, the 20-23rd Terms Past Chair, Japan National Committee for PIERS, The Institute of Electronics, Information and Communication Engineers Chair, PIERS 2018 Toyama Organizing Committee
Toshitaka Tsuda	Research Scientist / Guest Professor, Waseda University Past President, The Institute of Electronics, Information and Communication Engineers Associate Member, Science Council of Japan, the 22-25th Terms

Overview of PIERS 2025 Chiba

11. Organizing Committee

- Members

Yoshiaki Nakano	Professor, The University of Tokyo Associate Member, Science Council of Japan Council Member, Section III, Science Council of Japan, the 24-25th Terms
Kaori Fukunaga	Chief Senior Researcher, Radio Research Institute, National Institute of Information and Communications Technology Associate Member, Science Council of Japan
Kazuo Hotate	President / Professor, Toyota Technological Institute Professor Emeritus, The University of Tokyo Past President, The Japan Society of Applied Physics Past President, Electronics Society, The Institute of Electronics, Information and Communication Engineers Council Member, Section III, Science Council of Japan, the 22-23rd Terms Associate Member, Science Council of Japan, the 24-25th Terms
Hiroyuki Morikawa	Professor, The University of Tokyo Immediate Past President, Electronics Society, The Institute of Electronics, Information and Communication Engineers Associate Member, Science Council of Japan
Tsuneki Yamasaki	Professor Emeritus, Nihon University Designated Associate Member, Science Council of Japan, the 21st Term Past President, Japan National Committee for PIERS, The Institute of Electronics, Information and Communication Engineers General Co-Chair, PIERS 2018 Toyama Vice-Chair, PIERS 2018 Toyama Organizing Committee Vice-Chair, PIERS 2018 Toyama Steering Committee
Susumu Yoshida	Professor Emeritus, Kyoto University Past President, The Institute of Electronics, Information and Communication Engineers Past President, Communications Society, The Institute of Electronics, Information and Communication Engineers Council Member, Section III, Science Council of Japan, the 22-24th Terms Associate Member, Science Council of Japan, the 21st Term
Kanako Wake	Director General, Strategic Planning Office, National Institute of Information and Communications Technology Associate Member, Science Council of Japan

1. Sponsorship Packages

Sponsorship Packages

Max: 3

Platinum
¥ 1,000,000-

Max: 5

Gold
¥ 600,000-

Max: 10

Silver
¥ 300,000-

[Before conference]

- Banner advertisement on PIERS 2025 Chiba official website

[Before conference]

- Banner advertisement on PIERS 2025 Chiba official website

[Before conference]

- Banner advertisement on PIERS 2025 Chiba official website

[During conference period]

«Logo Listing»

- Name strap
- Informational sign in the onsite venue
- Sponsor board (Photo space)

«Advertisement»

- Abstract book (PDF)
- Slide or CM (movie) between sessions (Video slide, 1 min. per frame)
- Digital signage advertising (Showing duration: 1 min. looping)

«Other Benefits»

- Free admission to the conference (for 3 persons)

[During conference period]

«Logo Listing»

- Informational sign in the onsite venue
- Sponsor board (Photo space)

«Advertisement»

- Abstract book (PDF)

«Other Benefits»

- Free admission to the conference (for 2 persons)

[During conference period]

«Logo Listing»

- Informational sign in the onsite venue

«Other Benefits»

- Free admission to the conference (for 1 person)

- The sponsor packages include the exhibition booth(s). For details, please refer to page 22-23.

Type A: booth for Platinum and Gold

Type B: booth for Silver

- Please let us know if you do not need an exhibition booth (Package fees remain the same.)

Sponsorship Packages

items	details	Platinum	Gold	Silver
		¥1,000,000 ×3	¥600,000 ×5	¥300,000 ×10
Exhibition	Type A	2	1	
	Type B			1
Logo	Name tag	1		
	Informational sign in the onsite venue	1	1	
	Sponsor board (Photo space)	1	1	1
Banner Ad	Official website	1	1	1
Advertisement	Abstract book	1	1	
	Slide or CM (movie) between sessions (Video slide, 1 min. per frame)	1		
	Digital signage advertising (Showing duration: 1 min. looping.)	1		
Other Benefits	Free admission to the conference	3	2	1

Sponsorship Booth Locations

[International Conference Hall 2F]



Application for Sponsorship Packages

1) Application

Please fill out the Application Form for Sponsorship (Form A) and send it by email or fax. Invoice for payment will be issued after receipt of your application.

<Applications & Inquiries>

Secretariat of PIERS 2025 Chiba (c/o Convention Linkage Co., Ltd.)

Sapporo Tokeidai Bldg., 2-1 Kita 1-Jo Nishi, Chuo-ku, Sapporo, Hokkaido, 060-0001, Japan

E-mail: piers2025_secretariat@c-linkage.co.jp

2) Application deadline: Monday, June 30, 2025

3) Notifications:

- Cancellations will not be accepted after application.
- Please select a representative if you are applying for a joint sponsorship with group companies, organizations, or affiliated companies.

4) Cancellation of participation for uncontrollable or unforeseeable reasons:

- The organizer(s) reserves the right to cancel the event, shorten the event period or time, or postpone the event before or during the event period if conditions are so that it becomes extraordinarily difficult to hold the event caused, directly or indirectly, by a force majeure event, such as a natural disaster, spread of infectious disease, acts of terrorism, at the request of the national government or government agencies, or any other such similar cause that is beyond the reasonable control of the organizer(s). In this case, the organizer(s) will notify sponsors immediately after a decision has been reached.
The organizer(s) will not be liable for any damages incurred as a result of this decision or its execution.
- If the event is cancelled due to force majeure prior to the event, the organizer(s) will refund the balance of the sponsorship fee after deducting expenses for costs already incurred.
- Sponsorship fees will not be refunded if the period or time of the event is shortened due to a force majeure that occurs during the event period. Sponsors will also not be compensated by the organizer(s) for any expenses incurred.

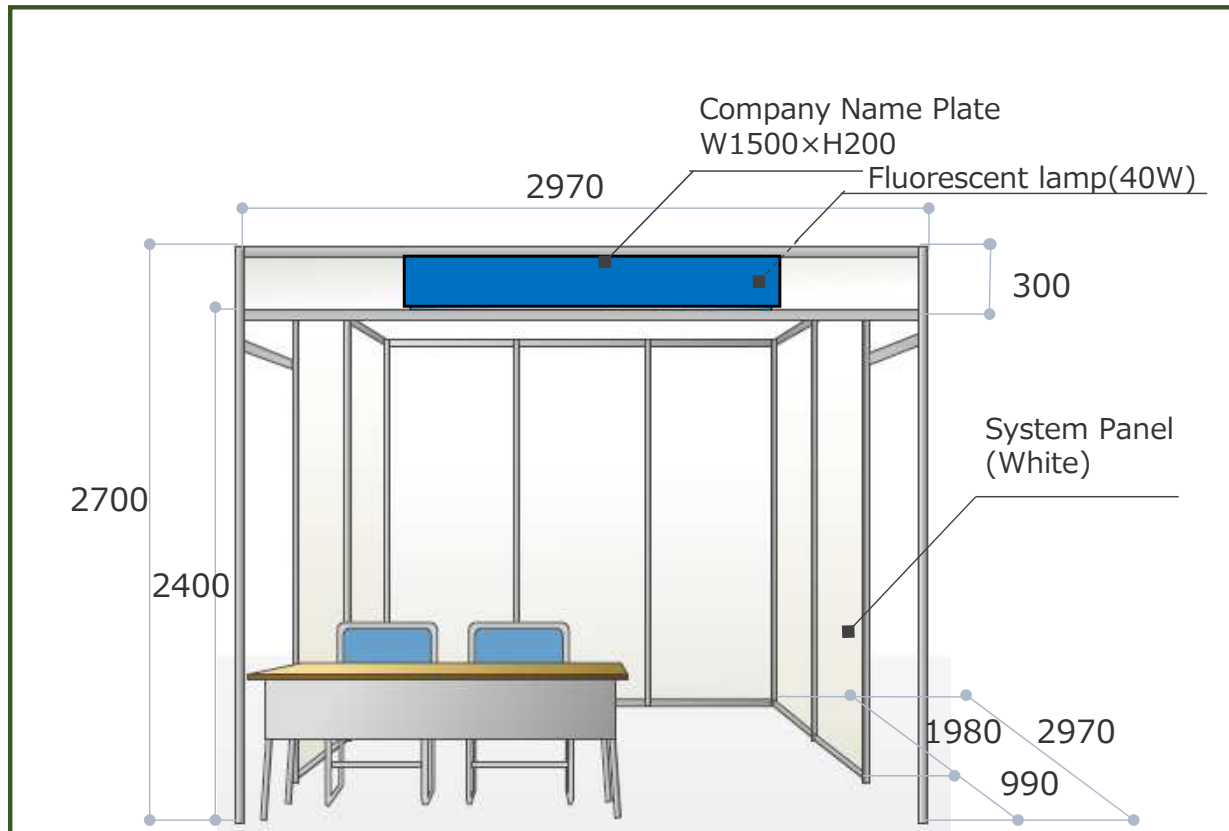
2. Exhibition Booth

Exhibition Booth Application Guidelines (Type A)

1) Exhibition fee (Type A)

¥200,000/booth

2) Specifications for basic booth plan



※Design and contents are subject to change.

- | | | | |
|-----------------------|--------------------|------------------|----------------|
| •System panel (white) | : 3 | •Electricity | : 100V / 0.5kW |
| •Table | : 1 | •2-socket outlet | : 1 |
| •Chair | : 2 | | |
| •Company sign | : Company/org name | | |
| •Tablecloth (white) | : 1 | | |

* The location of the exhibition booths will be decided by the organizers after the application deadline.
* Additional charges apply for special decor/embellishments, electrical wiring, etc. Please contact the Secretariat for more details.

*If you apply for several booths, the layout will be different from the left image.
*If you need to use more power than 100V / 0.5kW, you are required to apply for the optional fee-based items.

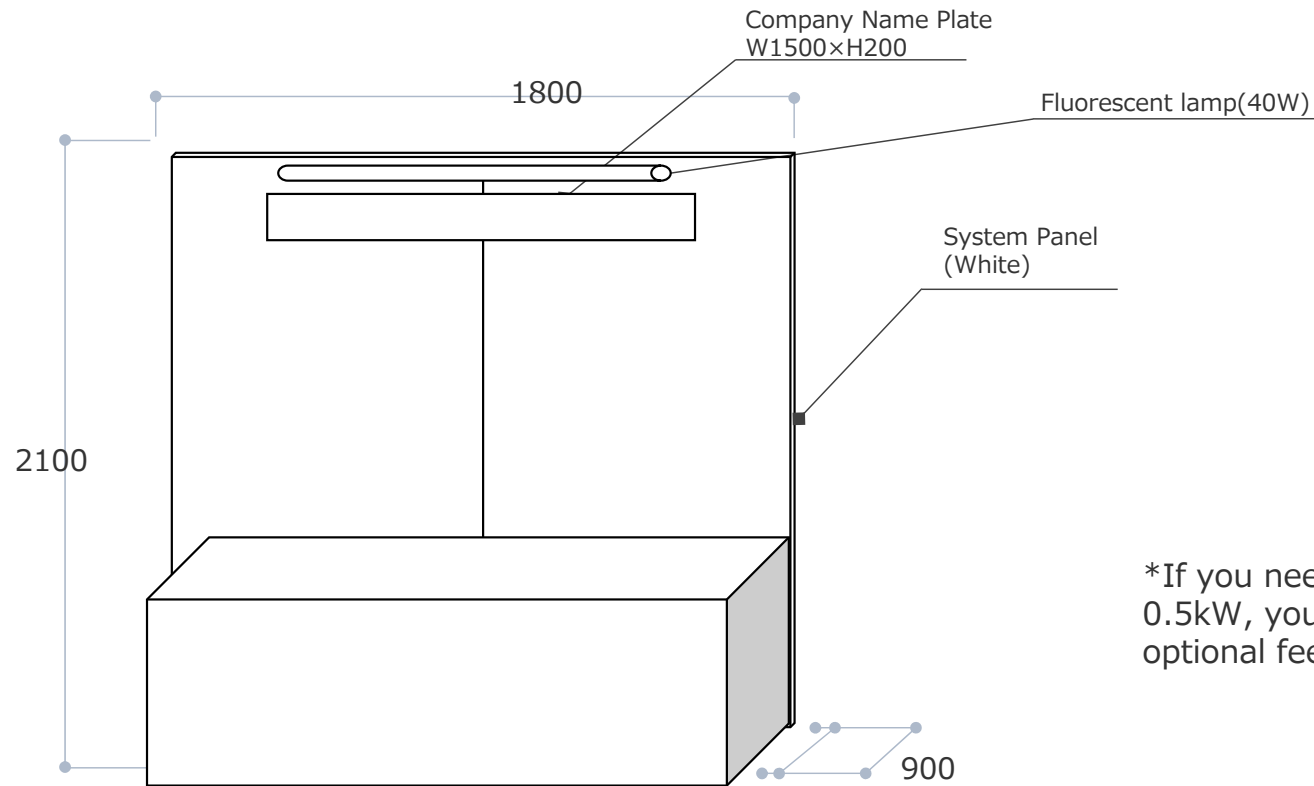
* Images are for illustrative purposes only.

Exhibition Booth Application Guidelines (Type B)

1) Exhibition fee (Type B)

¥100,000/booth

2) Specifications for basic booth plan



*If you need to use more power than 100 V / 0.5kW, you are required to apply for the optional fee-based items.

- | | | | |
|-------------------------|-----------|---|----------------|
| •System Panel(white) | : 2 sides | •Company Name Plate: Company / org name | |
| •Table(W1800xD900xH700) | : 1 | •2-socket outlet | : 1 |
| •Tablecloth (white) | : 1 | •Electricity | : 100V / 0.5kW |

* Images are for illustrative purposes only.

Application for Exhibition Booth

1) Application

**Please fill out the Application Form for Sponsorship (Form B) and send it by email or fax.
Invoice for payment will be issued after receipt of your application.**

<Applications & Inquiries>

Secretariat of PIERS 2025 Chiba (c/o Convention Linkage Co., Ltd.)

Sapporo Tokeidai Bldg., 2-1 Kita 1-Jo Nishi, Chuo-ku, Sapporo, Hokkaido, 060-0001, Japan

E-mail: piers2025_secretariat@c-linkage.co.jp

2) Application deadline: Monday, June 30, 2025

3) Notifications:

- Cancellations will not be accepted after application.
- Please select a representative if you are applying for a joint sponsorship with group companies, organizations, or affiliated companies.

4) Cancellation of participation for uncontrollable or unforeseeable reasons:

- The organizer(s) reserves the right to cancel the event, shorten the event period or time, or postpone the event before or during the event period if conditions are so that it becomes extraordinarily difficult to hold the event caused, directly or indirectly, by a force majeure event, such as a natural disaster, spread of infectious disease, acts of terrorism, at the request of the national government or government agencies, or any other such similar cause that is beyond the reasonable control of the organizer(s). In this case, the organizer(s) will notify sponsors immediately after a decision has been reached.
The organizer(s) will not be liable for any damages incurred as a result of this decision or its execution.
- If the event is cancelled due to force majeure prior to the event, the organizer(s) will refund the balance of the sponsorship fee after deducting expenses for costs already incurred.
- Sponsorship fees will not be refunded if the period or time of the event is shortened due to a force majeure that occurs during the event period. Sponsors will also not be compensated by the organizer(s) for any expenses incurred.

3. Sponsorship Items

Sponsorship Items

[Banner advertisement on the PIERS 2025 Chiba official website]

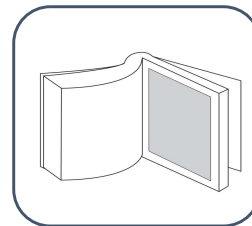
- 234 x 60 pixels (tentative)
- Banner data (GIF/JPG/PNG) to be provided by sponsors



¥100,000-

[Program Book (PDF)]

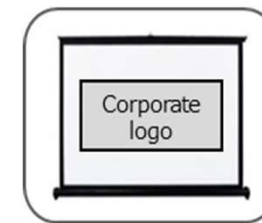
- A4 size
- 1 page
- Color / B/W
- Advertisement drafts (eps) to be provided by sponsors



¥100,000-

[Slide or CM (movie) between sessions]

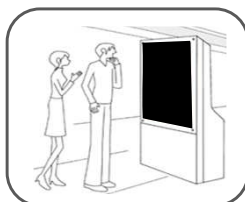
- Video / slide
- 1 min. per frame



¥100,000-

[Digital signage advertising]

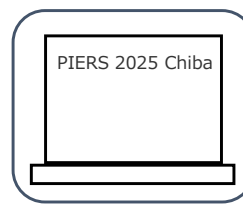
- Showing duration: 1 min. looping



¥100,000-

[Sponsor board (Photo space)]

- Logo on sponsor board at entrance lobby.
- Can also be used as a photo space.



¥100,000-

[Informational sign]

- Logo placement on signage
- Logo data (eps) to be provided by sponsors



¥200,000-

※All pictures and diagrams of sponsorship items are for illustrative purposes only.

PIERS 2025 Chiba Application for Sponsorship

Form A

Application for sponsorship as follows. Application date: YY/ MM/ DD

Application deadline: June 30 (Mon), 2025

Company name ※Company name to be listed on printed matter and official website.	
Company name in English	
Address	
Name of Representative (Person in charge):	Title/Department: Signature:
Name of contact person:	Title/Department: Signature
Tel	Fax
E-mail	
Company URL ※URL to be listed on printed materials and official website. https://	

Check () your preferred sponsorship package

1. Application for Sponsorship Packages

<input type="checkbox"/> Platinum	¥1,000,000 (incl. tax)
<input type="checkbox"/> Gold	¥600,000 (incl. tax)
<input type="checkbox"/> Silver	¥300,000 (incl. tax)

2. Application for Sponsor Items
Please fill in the following table.

Item No.	Item Name	Quantity	Item Price (incl. tax)

Total (incl. tax) ¥

■ Applications & Inquiries ■

Secretariat of PIERS 2025 Chiba
(c/o Convention Linkage Co., Ltd.)
Sapporo Tokeidai Bldg., 2-1 Kita 1-Jo Nishi, Chuo-ku,
Sapporo, Hokkaido, 060-0001, Japan
E-mail: piers2025_secretariat@c-linkage.co.jp

※ The location of exhibition booths will be determined by the Secretariat based on the order of applications.
 ※ Please note that cancellations will not be accepted after this application. In case of cancellation, sponsors will be required to pay the full sponsorship fee.
 ※ Invoice for payment will be issued after receipt of this application.
 ※ Contents are subject to change without notice.
 Please contact the Secretariat of PIERS 2025 Chiba for confirmation and questions.

PIERS 2025 Chiba Application for Exhibition Booth

Form B

Application for sponsorship as follows. Application date: YY/ MM/ DD

Application deadline: June 30 (Mon), 2025

Company name ※Company name to be listed on printed matter and official website.	
Company name in English	
Address	
Name of Representative (Person in charge):	Title/Department: Signature:
Name of contact person:	Title/Department: Signature
Tel	Fax
E-mail	
Company URL ※URL to be listed on printed materials and official website. https://	

Check (☑) your preferred sponsorship package

1. Application for Exhibition Booth

Type A booth ¥200,000 × booth

Type B booth ¥100,000 × booth

2. Application for Sponsor Items
Please fill in the following table.

Item No.	Item Name	Quantity	Item Price (incl. tax)

Total (incl. tax) ¥

※ The location of exhibition booths will be determined by the Secretariat based on the order of applications.
 ※ Please note that cancellations will not be accepted after this application. In case of cancellation, sponsors will be required to pay the full sponsorship fee.
 ※ Invoice for payment will be issued after receipt of this application.
 ※ Contents are subject to change without notice.
 Please contact the Secretariat of PIERS 2025 Chiba for confirmation and questions.

■ Applications & Inquiries ■

Secretariat of PIERS 2025 Chiba
 (c/o Convention Linkage Co., Ltd.)
 Sapporo Tokeidai Bldg., 2-1 Kita 1-Jo Nishi, Chuo-ku,
 Sapporo, Hokkaido, 060-0001, Japan
 E-mail: piers2025_secretariat@c-linkage.co.jp